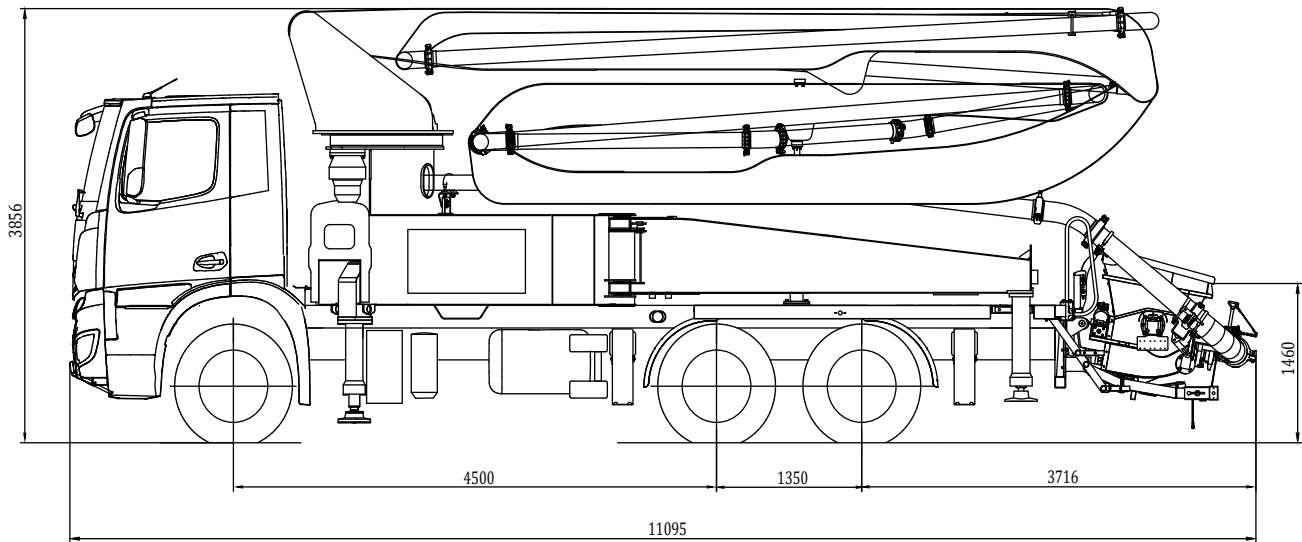


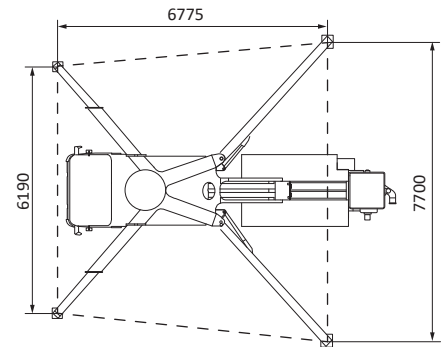
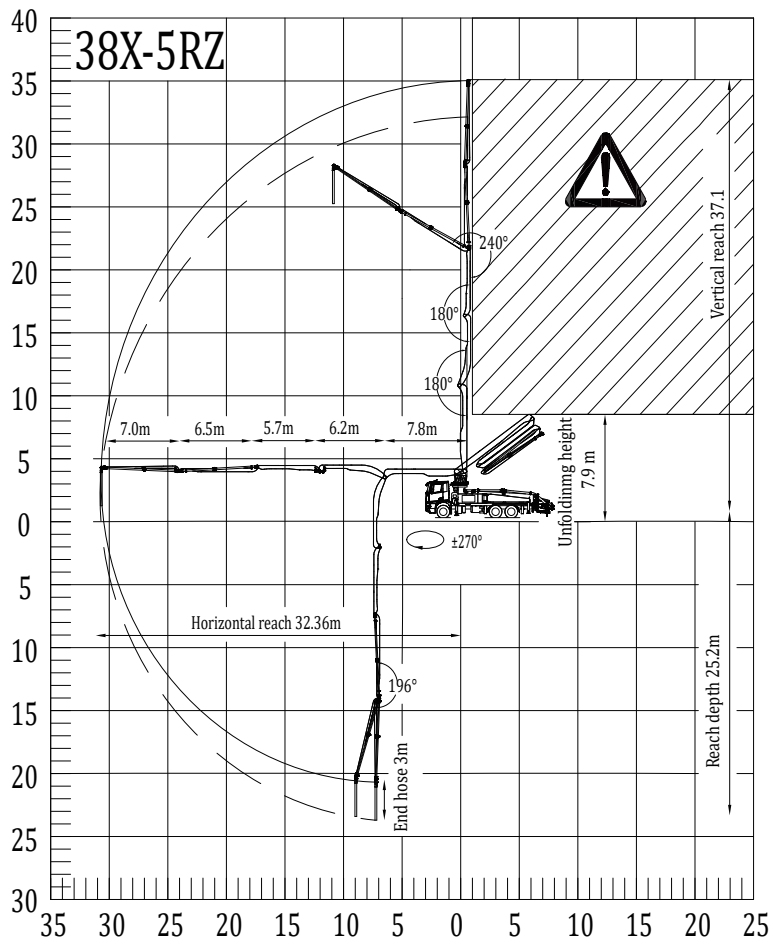
TRUCK MOUNTED CONCRETE PUMP 38X-5RZ



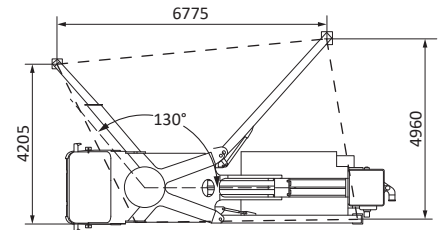
Note: Dimensions varying according to truck assembly (mm).

PARAMETER

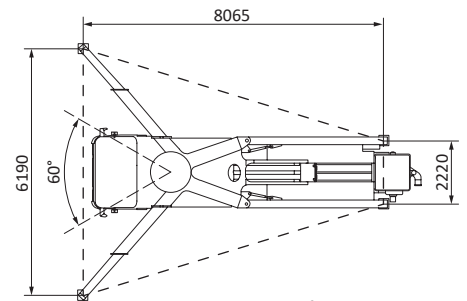
| BOOM | | |
|---|-------------------|---------------|
| Vertical reach | m | 37.1 |
| Horizontal reach | m | 32.36 |
| Reach depth | m | 25.2 |
| Min. height of unfolding boom | m | 7.9 |
| PUMP | | |
| Max. theoretical output | m ³ /h | 170 |
| Max. theoretical concrete output pressure | bar | 88 |
| Concrete cylinder dia × stroke | mm | φ260×2100 |
| Hydraulic circuit | | Open |
| CHASSIS | | |
| Chassis brand | | Mercedes-Benz |
| Engine power | KW | 290 |
| Emission standard | | Euro 6 |



Standard support (47 m²)



One-side support (31 m²)



Front support (34 m²)

TECHNICAL SPECIFICATION

Safe

Standard support / OSS

360° surround camera system

Reversing camera

Air shut-off valve

Mushroom button for horn

Remote engine off

Boom end warning light, LED

Boom end light, LED

Hopper light, LED

Side lights, LED

Reliable

Self-adaptive system for different concrete conditions

Pumping emergency reversal

Twin-wall pipes

Durable wear parts

User-Friendly

Outrigger fuel tank

Plastic water tank 700L

High flow water pump 70L/min

High pressure water pump 20MPa

Hose reel for low pressure water pump

Aluminium hopper cover

Bar-type grill

Vibrator

Cleaning ball stopper

Self-locking end hose clamp

Quick release pipe clamp

Intelligent

Fault diagnosis

OGS (Outriggers guidance system)

Energy saving control

Zoomlion Heavy Industry Science & Technology Co.,Ltd.

Add: No.677, Lugu Road, Zoomlion Industrial Park, Changsha, Hunan, China, 410205

Copyright©2023 Zoomlion. All rights reserved. Reproduction and copying of any part of contents is not allowed for any purposes without Zoomlion's approval.

en.zoomlion.com

